

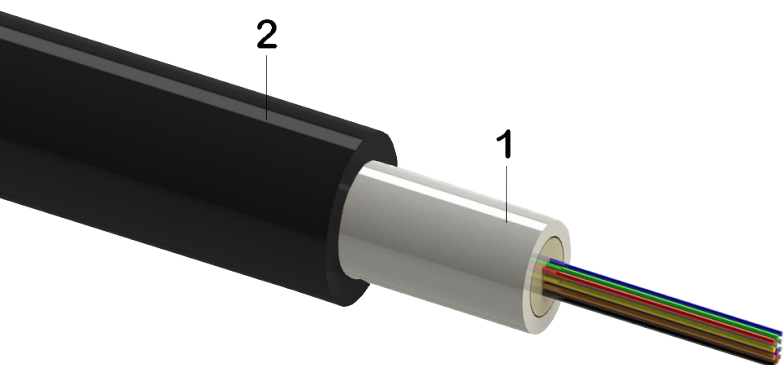
Microcables

Cable construction code

MT1H xx.yy.zz.c

DIN code

A-D2Y



1. Gel filled PBT loose tube with optical fibers
2. HDPE UV stable outer jacket

Cable general description

Max. 12 fiber uni-tube non-metallic micro-cable for outdoor installation to micro-tubes.

Construction and dimensions

Loose tube nominal diameter	2,0 mm
Outer jacket nominal thickness	0,5 mm
Cable nominal outer diameter	3,0 mm
Cable informative weight	8 kg/km
Standard put-up length	2100/4100 m ± 5%

Outer jacket

Material	UV stable HDPE
Jacket colour	Black
Sheath marking	Ink-Jet, white
Print legend	Construction name, cable type, batch-number, meter-marking, Customer print legend available on request

Optical fibers

Colour coding (IEC 60304)	1.-12.: red, green, blue, yellow, white, grey, brown, violet, turquoise, black, orange, pink
Fiber type	Single- and multi-mode fibers (OS2, OM2, OM3, OM4, OM5)

Geometrical and transmission parameters are available at separate generic datasheet

Microcables

Mechanical characteristics

Test	Test method	Value	Acceptance criteria*
Tensile performance	EN 60794-1-21:E1	50 N (short term)	$\Delta\alpha \leq 0,05$ dB after test
Crush	EN 60794-1-21:E3A	500 N/100mm (short term)	$\Delta\alpha \leq 0,05$ dB after release, no damage
Impact	EN 60794-1-21:E4	1 Nm, 3 impacts, d=20 mm, R=300 mm	$\Delta\alpha \leq 0,05$ dB after test, no damage
Repeated bending	EN 60794-1-21:E6	R = 40 x cable diameter, 25 cycles	no damage
Torsion	EN 60794-1-21:E7	L = 1 m, rotation angle $\pm 180^\circ$, 10 cycles	no damage
Kink	EN 60794-1-21:E10	d = 40 x cable diameter	no damage
Bend no tension	EN 60794-1-21:E11A	R=40 x cable diameter, 4 turns, 3 cycles	$\Delta\alpha \leq 0,05$ dB after test, no damage

Environmental characteristics

Test	Test method	Value	Acceptance criteria*
Temperature cycling	EN 60794-1-22:F1	-20°C ÷ 70°C -30°C ÷ 70°C	$\Delta\alpha \leq 0,05$ dB $\Delta\alpha \leq 0,15$ dB, reversible
Temperature range of use		-5°C ÷ 50°C -20°C ÷ 70°C -30°C ÷ 70°C	installation operation storage, transport
Moisture resistance	EN 60794-1-22:F5B	L = 3 m, 1 m water height, 24 h	no water leakage

* EN 60794-5-10

Cable expected lifetime / min. 30 years

Order information

Construction	Diameter	CPR	Fiber count	OM3	OM4	OM5	G652.D	G657.A1
MT1H	Ø 3,0		4	01.04.M3.B	01.04.M4.B	01.04.M5.B	01.04.S2.B	01.04.S7.B
			6	01.06.M3.B	01.06.M4.B	01.06.M5.B	01.06.S2.B	01.06.S7.B
			8	01.08.M3.B	01.08.M4.B	01.08.M5.B	01.08.S2.B	01.08.S7.B
			12	01.12.M3.B	01.12.M4.B	01.12.M5.B	R848278	01.12.S7.B

Order code e.g.: MT1H 01.04.M3.B (see page 136/137)

Other fiber counts and/or fiber types (e.g. G657.A2) on special request