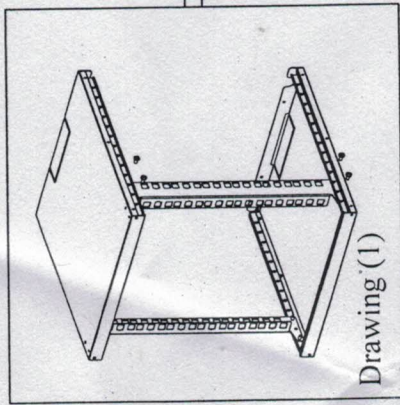


所属
所属型号
所属名称
所属图号

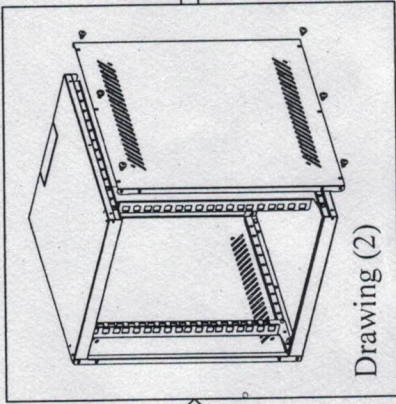
阶段版本
A 0

备注



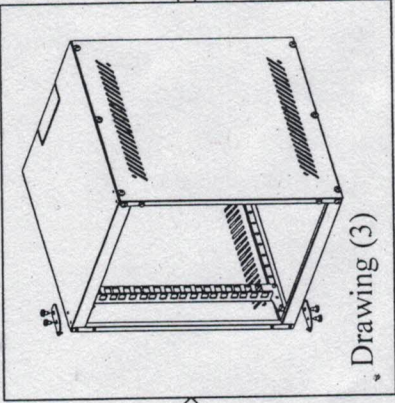
Drawing (1)

Drawing (1)  
(1) Use M4\*6 screw to fix the mounting profile to the inner side of top & bottom cover;



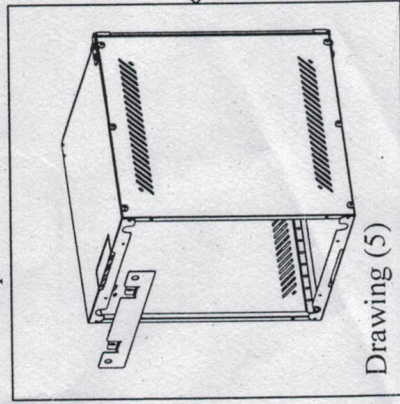
Drawing (2)

Drawing (2)  
(2) Use M4\*6 screw to fix the side panel to the outer side face of top & bottom cover;



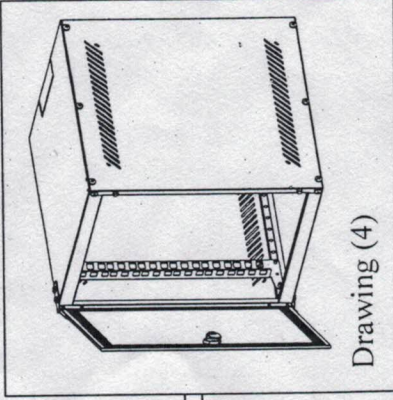
Drawing (3)

Drawing (3)  
(3) Use M4\*6 screw to fix the top & bottom spring bolt (but not fix the top spring bolt tightly, for installing front door);



Drawing (4)

Drawing (4)  
(4) Install the front door, ensuring the gap between door and frame well-proportioned, then fix the top spring bolt tightly;



Drawing (5)

Drawing (5)  
(5) Use M4\*6 screw to fix the frame to the mounting panel from inner to outer (mounting panel should be fixed to the wall first);

技术要求:

注意保护前门玻璃丝印图案, 表面无划伤。

更改标记	数量	更改单号	签名	日期	产品型号	WS系列挂墙柜	材料	涂	镀
设计					零件名称	装配步骤示意图	视图关系	数量	重量
审核					零件图号	WS54XX. 700	第	共	页
标准化							比例		
批准							1:10		
							页		

图泰精密机器制造有限公司

