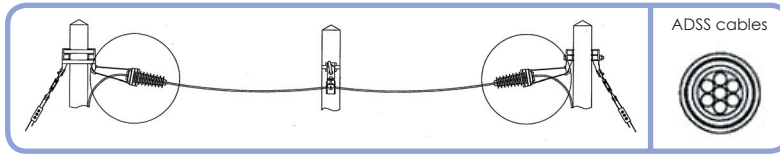


# TECHNICAL SPECIFICATION

# ANCHORING CLAMPS

FOR ADSS CABLES INSTALLED ON SHORT SPANS (100M MAX)



ADSS cables

No contractual pictures - FT00034\*1004

## PRODUCT OVERVIEW

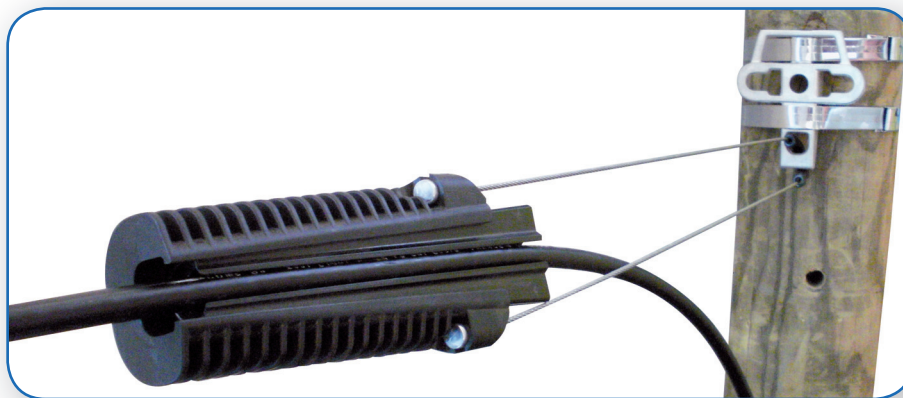
These clamps are designed for dead-ending aerial ADSS cables on access networks when spans do not exceed 100m. Different capacities are available to adapt to the cable Ø.



ACADSS 10/12/14/16/18



ACADSS 6/8



## APPLICATION

These clamps will be used as cable dead-end at end poles (using one clamp).

Two clamps can be installed as double dead-end in the following cases :

- at jointing poles
- at intermediate angle poles when the cable route deviates by more than 20°.
- at intermediate poles when the two spans are different in lengths
- at intermediate poles on hilly landscapes

## FEATURES

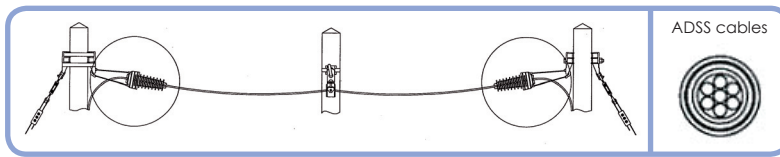
- Dead-ending of 6 to 20 mm ADSS cables
- Minimum breaking load of 500/600 daN
- Installation on any pole hardware fitting : *brackets, cross-arms or eye bolt with a min eye Ø of 15 mm*
- 4kV thimble as standard. 11 kV thimble available
- All plastic parts are UV resistant and tested in conditions equivalent to min 25 years of service in tropical environment

## BENEFITS

- Light and compact products
- Easy, quick and safe dead-ending
- Installation takes seconds
- The flexible bail provides an extra protection to the cable against vibrations
- 4 kV or 11 kV insulation provided

# TECHNICAL SPECIFICATION ANCHORING CLAMPS

FOR ADSS CABLES INSTALLED ON SHORT SPANS (100M MAX)



No contractual pictures - FT00034\*1004

## DESCRIPTION

These anchoring clamps are made of an opened conical body, a pair of plastic wedges and a flexible bail equipped with an insulating thimble. The bail can be locked onto the clamp body once passed through the pole bracket and re-opened by hand at any time when the clamp is not under full load. All parts are secured together to prevent any loss during installation.

## TESTING

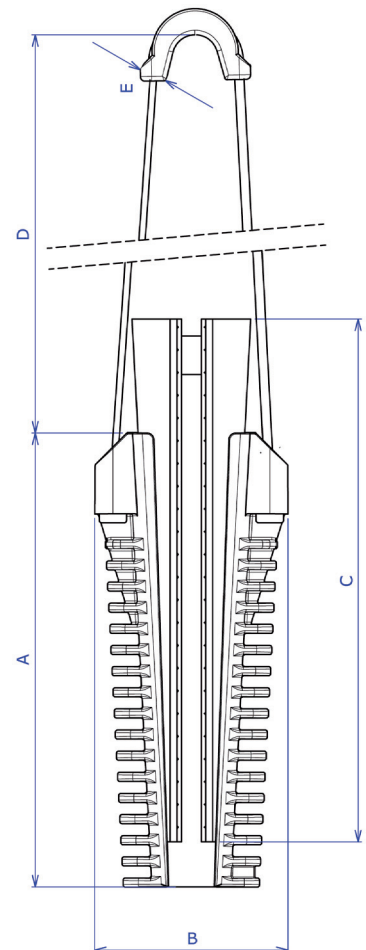
These products have been validated according to internationally recognised standards :

- Climatic ageing test according to NF EN C-20-540 standard dated June 2002.
- Corrosion test according to NF EN 60068-2-52 dated December 1996.
- Mechanical test according to France Telecom FT R&D/7890 dated July 2003.
- Vibration test according to France Telecom FT R&D/7890 dated July 2003 and NF EN 50289-3-13 dated August 2003.
- Insertion loss < 0.2 dB.

## RANGE

Clamp reference	Capacity (mm)	Min. Breaking Load*	Dimensions (mm)				
			A	B	C	D	E
ACADSS6	6-8	500 daN	150	64,5	165	360	13
ACADSS8	8-10	500 daN	150	64,5	165	360	13
ACADSS10	8-12	600 daN	200	85	230	500	13
ACADSS12	10-14	600 daN	200	85	230	500	13
ACADSS14	12-16	600 daN	200	85	230	500	13
ACADSS16	14-18	600 daN	200	85	230	500	13
ACADSS18	16-20	600 daN	200	85	230	500	13

\* Value obtained on reference cable

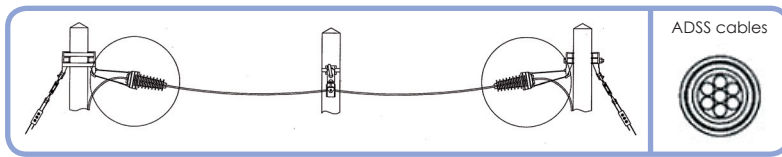


## CHARACTERISTICS

Materials		Weight	Qty / box
Body / Wedges / Thimble	Bail		
UV protected thermoplastic	Stainless steel	0.40 kg	30

# TECHNICAL SPECIFICATION ANCHORING CLAMPS

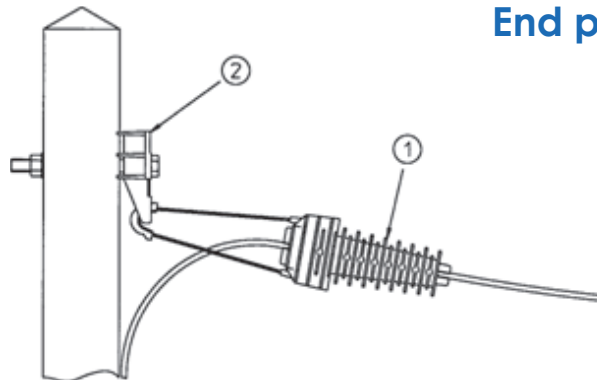
FOR ADSS CABLES INSTALLED ON SHORT SPANS (100M MAX)



No contractual pictures - F100034\*1004

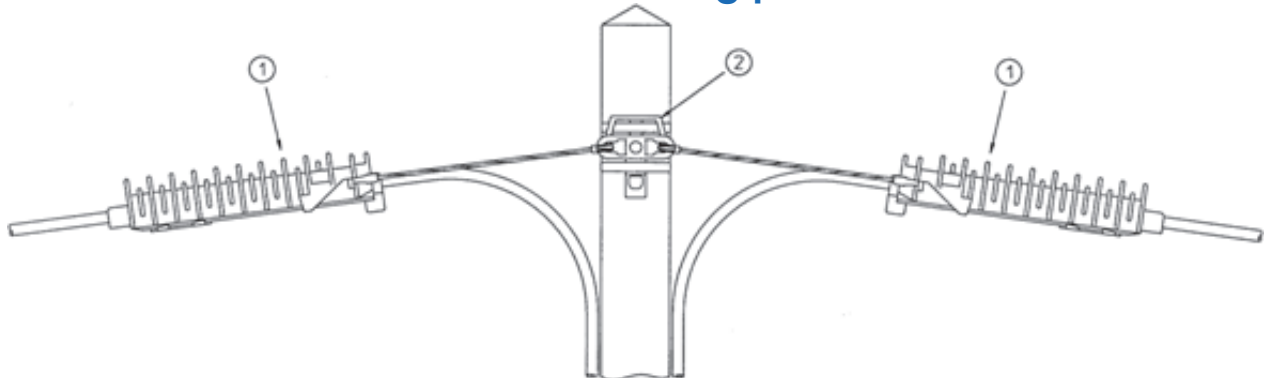
## APPLICATION

### End poles : dead-ending



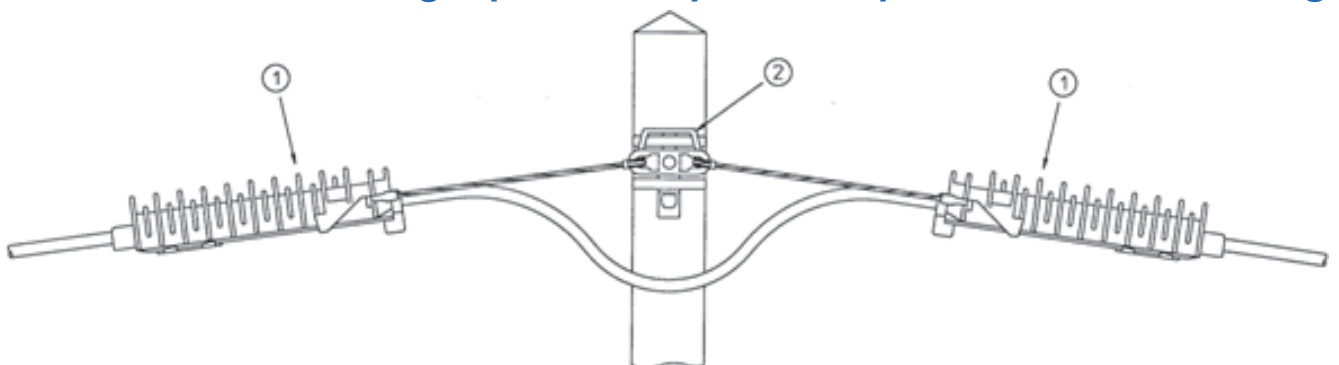
Consisting of : 1 anchoring clamp (1) + 1 universal pole bracket UPB (2)  
Securing : 1 bolt  $\varnothing$  14 or 16 mm (drilled poles) or 2 pole bandings 20 mm SB204 or SB207 with 2 buckles B20

### Joining poles : double dead-ending



Consisting of : 2 anchoring clamps (1) + 1 universal pole bracket UPB (2)  
Securing : 1 bolt  $\varnothing$  14 or 16 mm (drilled poles) or 2 pole bandings 20 mm SB204 or SB207 with 2 buckles B20

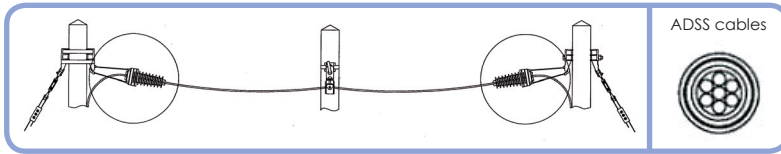
### Intermediate angle poles / hilly landscapes : double anchoring



Consisting of : 2 anchoring clamps ACADSS (1) + 1 universal pole bracket UPB (2)  
Securing : 1 bolt  $\varnothing$  14 or 16 mm (drilled poles) or 2 pole bandings 20 mm SB204 or SB207 with 2 buckles B20

# TECHNICAL SPECIFICATION ANCHORING CLAMPS

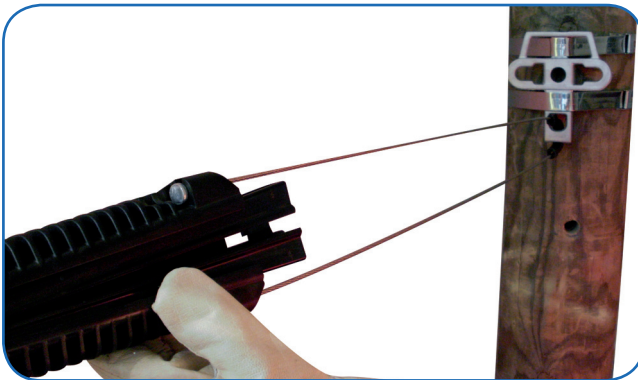
FOR ADSS CABLES INSTALLED ON SHORT SPANS (100M MAX)



No contractual pictures - F100034\*1004

## INSTALLATION INSTRUCTIONS

When the cable is fully tensioned, the wedges move further into the clamp body and grip onto the messenger outer sheath



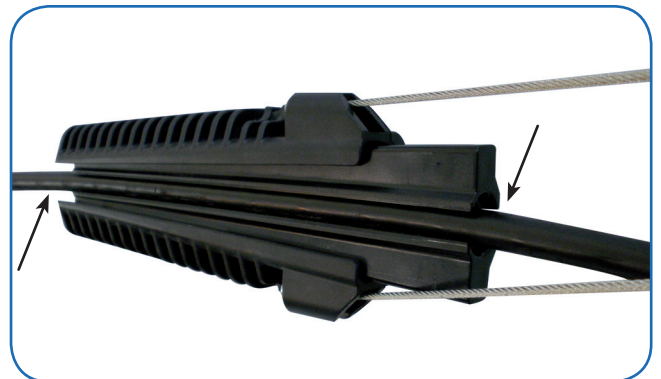
The clamp is attached to the pole fitting by means of its bail



The clamp body is placed over the cable with the wedges in their back position



Push on the wedges by hand to initiate the gripping onto the cable



Check the correct positioning of the cable between the wedges



When the cable is brought to its installation load at the end pole, the wedges move further into the clamp body. When installing a double dead-end leave some extra length of cable between the two clamps